

## Specification Detail of Model ST-33S

<b>Specification</b>	
Product Model	ST-33S
Storage Capacity	2.8 cubic feet
Overall Wine Bottle Capacity (750ml Standard Bordueax)	31-33
Installation Type	built-in or freestanding
Color/Finish	black cabinet
Primary Material	metal, stainless steal, glass, wood, wire
Door Style	double pane, tinted
Cooling System	compressor
Defrost System	frost free
Anti-Vibration Technology	Yes
Ventilation Location	Front
Fan Type	Interior
Humidity Control	>65%
Integrated Lock	Yes
Quiet Operation	42 db
Stain Resistant	antirust coat
Odor Resistant	activated carbon filter
Leak-proof	water pan
Voltage	110-120 volts
Frequency	60Hz
Amperage	1.3 amperes
Estimated Yearly Electricity Use (kWh)	176
Est Yearly Operating Cost	\$23 USD
Country of Origin	China
Refrigerant	R600a
Interior Light	Yes
Bulb Type	white LED
Adjustable Feet	Yes (From 0 to 0.4 Inch)
<b>Temperature Specification</b>	
Temperature Zones	single zone
Overall Minimum Temperature	41 degrees F
Overall Maximum Temperature	64 degrees F
Wine Bottle Capacity	31-33
Temperature Display Type	touch screen



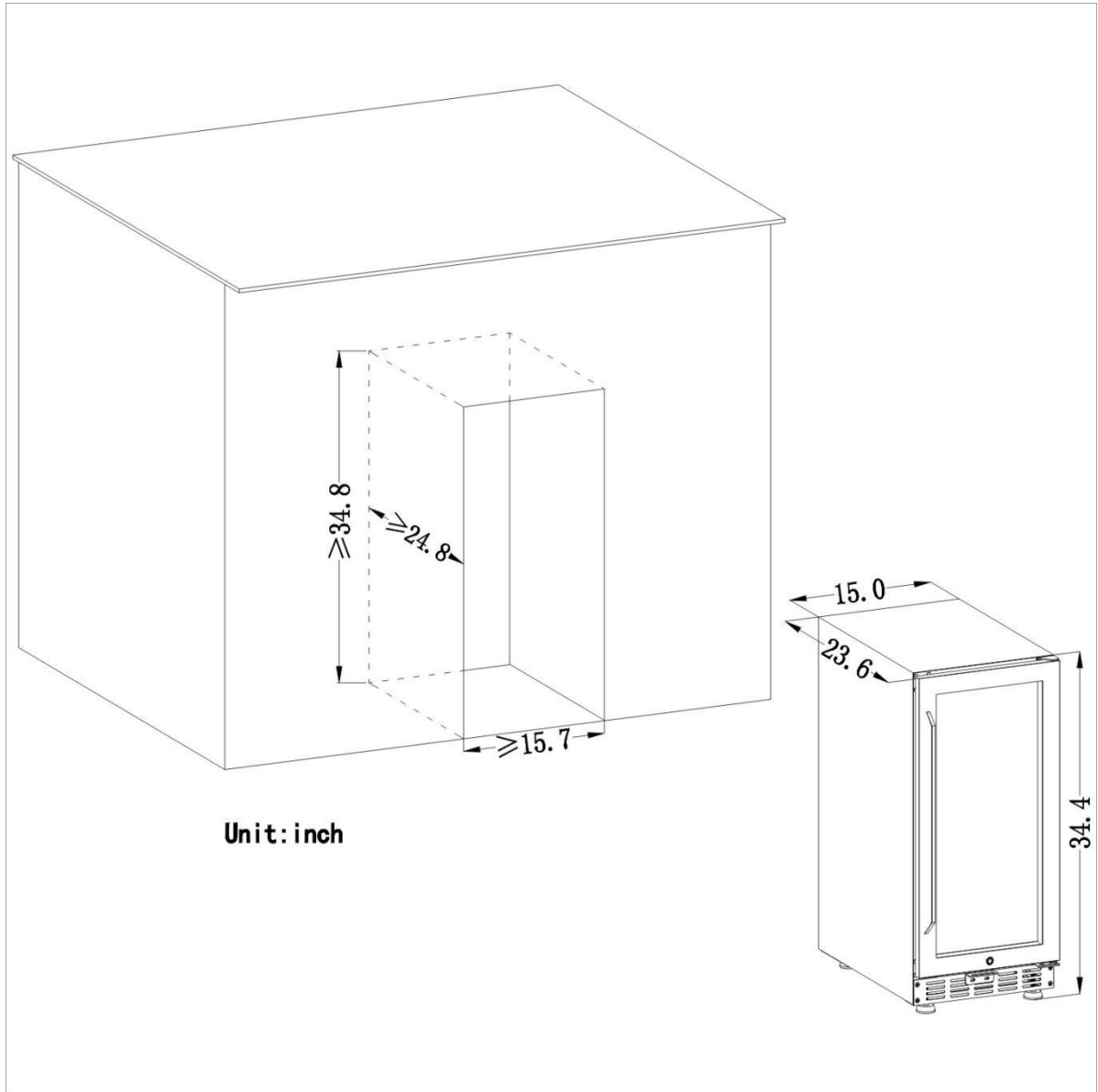
<b>Doors</b>	
Door Handle Design	external
Door Swing Orientation	left
Number of Doors	1
Door Material	tempered glass
Door Material Details	tinted double pane
Door Color/Finish	stainless steel
Door Opening Degree to Slide out Shelves	>100°
UV Resistant	Yes
Door Reversible	No
<b>Shelves</b>	
Adjustable Shelves to different heights	No
Number of Shelves	5 full shelves + 2 half shelf
Shelve Material	beech wood
Shelves slide out degree	75%
Full shelve size (Width x Depth x Height)	11.6x17.7x0.8inches
Half shelve size (Width x Depth x Height)	11.7x12.6x0.8inches
<b>Certifications Listings&amp;Approvals</b>	
ETL Listed	Yes
ISO 9001 Certified	Yes
<b>Unit Dimension and Weight</b>	
Overall Height - Top to Bottom	34.4 inches
Overall Width - Side to Side	15.0 inches
Overall Depth - Front to Back	25.3 inches
Depth -Excluding Handles	23.6 inches
Interior Height - Top to Bottom	28.0 inches
Interior Width - Side to Side	12.4 inches
Interior Depth - Front to Back	18.0 inches
Door Height - Top to Bottom	30.0 inches
Door Width - Side to Side	15.0 inches
Door Depth - Front to Back	0.9 inches
Depth With Door Open at 90 Degrees	37.7 inches
Cutout Width - Side to Side	15.7 inches
Cutout Depth - Front to Back	24.8 inches
Cutout Height - Top to Bottom	34.8 inches
Overall Product Weight Net Weight	73.9 Lbs
Shipping Weight with Panel	93.7 Lbs
Shipping Height - Top to Bottom with Panel	41.1 inches
Shipping Width - Side to Side	19.1 inches
Shipping Depth - Front to Back	28.9 inches



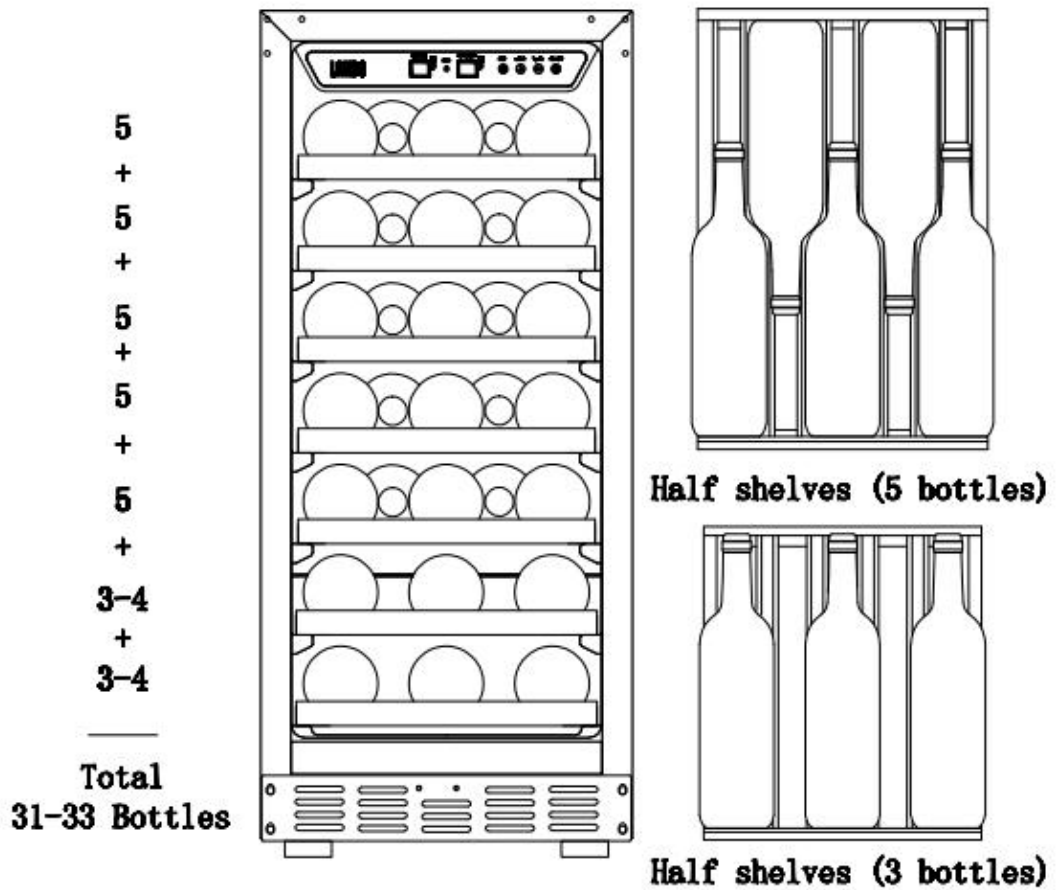
Your Professional Home and Commercial Appliances Supplier

<b>Installation and Usage</b>	
Installation Required	No
Tools Needed for Installation	No
Additional Parts Required	No
Supplier Intended and Approved Use	residential and commercial use
Outdoor Use	No
Product Care	wipe clean with a dry cloth
Undercounter	Yes
<b>Warranty</b>	
Manufacturer Warranty (labor)	1 year
Manufacturer Warranty (parts)	1 year
<b>What in the Box</b>	
LW33S Single Zone Wine Cooler	1 unit
User Manual	1 pc
Keys	2 pcs

### The Smallest Space Left for Installing ST-33S



### Storage Capacity



The bottle capacity is for standard Bordeaux 750ml bottles which are approximately 2.75" in diameter. Storing large and/or oddly shaped bottles (including champagne and sparkling wine bottles) should remove at least 1 shelf (shelves is removable) and will decrease the number of bottles you are able to store in your wine cooler.