

Specification Detail of Model LB36BAA

Specification	
Product Model	LB36BAA
Storage Capacity	4.6 cubic feet
Overall Wine Bottle Capacity (750ml Standard Bordeaux)	18
Overall Pop Can Capacity (330ml Standard Pop Can)	55
Installation Type	built-in or freestanding
Color/Finish	black cabinet
Primary Material	metal, stainless steal, glass, wood, wire
Door Style	French door
Cooling System	compressor
Defrost System	Frost free
Anti-Vibration Technology	Yes
Ventilation Location	Front
Fan Type	Interior
Humidity Control	>65%
Integrated Lock	No
Quiet Operation	42 dB
Stain Resistant	antirust coat
Odor Resistant	activated carbon filter
Leak-proof	water pan
Voltage	110-120 volts
Frequency	60Hz
Amperage	1.3 amperes
Country of Origin	China
Refrigerant	R600a
Interior Light	Yes
Bulb Type	white LED
Adjustable Feet	Yes (From 0 to 0.4 Inch)
Temperature Specification	
Temperature Zones	dual zone
Overall Minimum Temperature	39 degrees F
Overall Maximum Temperature	64 degrees F
Left Zone Wine Bottle Capacity	18
Left Zone Minimum Temperature	41 degrees F
Left Zone Maximum Temperature	64 degrees F
Right Zone Pop Can Capacity	55



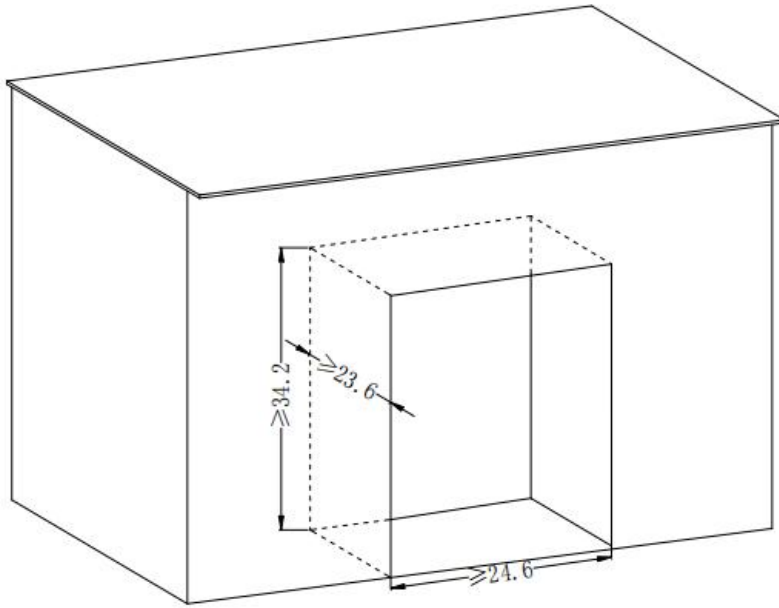
Right Zone Minimum Temperature	39 degrees F
Right Zone Maximum Temperature	50 degrees F
Temperature Display Type	touch screen
Doors	
Door Handle Design	External
Door Swing Orientation	Center
Number of Doors	2
Door Material	1 x tinted tempered glass door 1 x foamed door
Door Material Details	tinted double pane glass, Seamless stainless steel
Door Color/Finish	stainless steel
Door Opening Degree to Slide out Shelves	>90°
UV Resistant	Yes
Door Reversible	No
Shelves	
Adjustable Shelves to different heights	No
Number of Shelves	5 full shelves + 1 half shelf in the left zone; 3 wire shelf + 1 wire basket in the right zone
Shelve Material	beech wood, coated iron wire
Shelves Slide out Degree	75%
Full shelve size (Width x Depth x Height)	8.8x17.5x1.0inches
Half shelve size (Width x Depth x Height)	8.8x12.8x1.0inches
Wire shelve size (Width x Depth x Height)	8.6x17.1x1.2inches
Wire basket size (Width x Depth x Height)	7.5x12.2x6.5inches
Certifications Listings&Approvals	
ETL Listed	Yes
ISO 9001 Certified	Yes
Unit Dimension and Weight	
Overall Height - Top to Bottom	33.8 inches
Overall Width - Side to Side	23.4 inches
Overall Depth - Front to Back	24.9 inches
Depth -Excluding Handles	23.2 inches
Interior Height - Top to Bottom	27.4 inches
Interior Width - Side to Side	20.9 inches
Interior Depth - Front to Back	17.7 inches
Door Height - Top to Bottom	30.0 inches
Door Width - 1 Piece	11.6 inches
Door Depth - Front to Back	1.1 inches
Depth With Door Open at 90 Degrees	33.8 inches



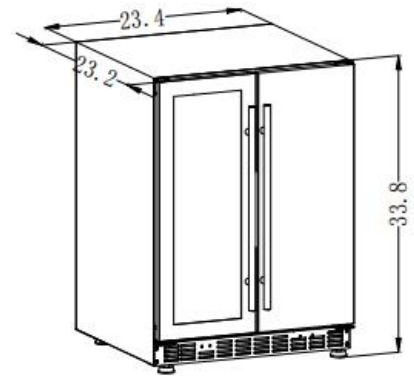
Your Professional Home and Commercial Appliances Supplier

Cutout Width - Side to Side	24.6 inches
Cutout Depth - Front to Back	23.6 inches
Cutout Height - Top to Bottom	34.2 inches
Overall Product Weight (Net Weight)	97.7 lbs
Shipping Weight without Pallet	113.5 lbs
Shipping Height - Top to Bottom without Pallet	37.2 inches
Shipping Width - Side to Side	27.4 inches
Shipping Depth - Front to Back	28.9 inches
Installation and Usage	
Installation Required	No
Tools Needed for Installation	No
Additional Parts Required	No
Supplier Intended and Approved Use	residential use
Outdoor Use	No
Product Care	wipe clean with a dry cloth
Undercounter	Yes
Warranty	
Manufacturer Warranty (labor)	1 year
Manufacturer Warranty (parts)	1 year
What in the Box	
LB36BAA Wine and Beverage Cooler	1 unit
User Manual	1 pc

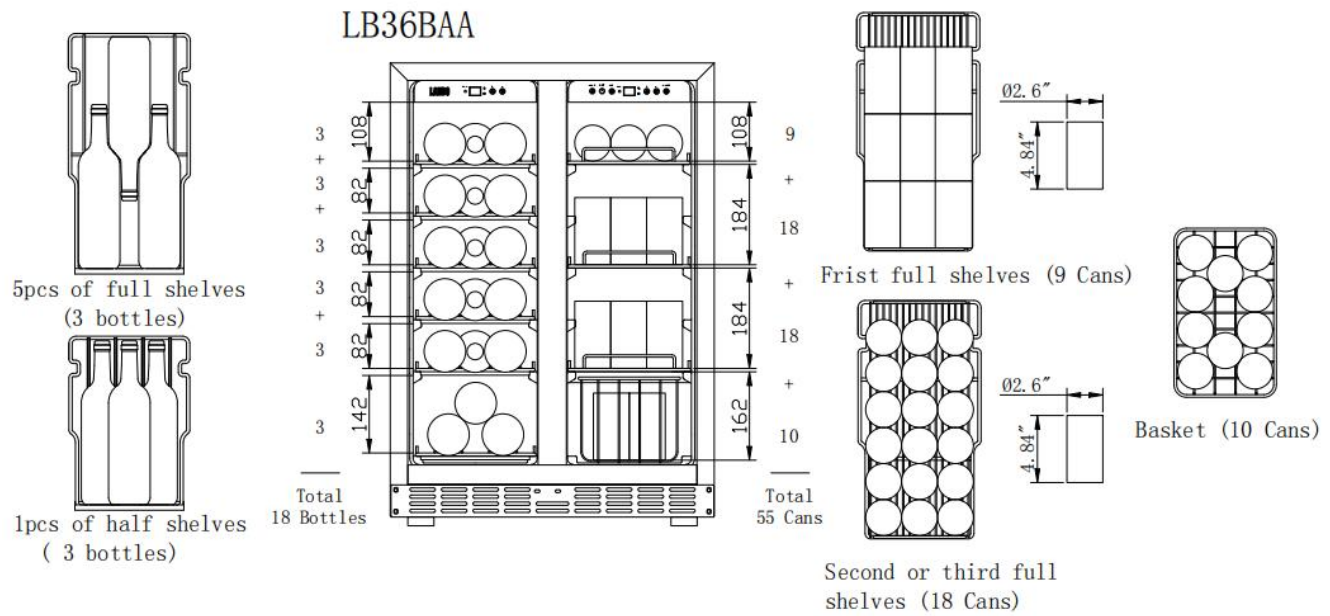
The Smallest Space Left for Installing LB36BAA



Unit: inch



Storage Capacity



The bottle capacity is for standard Bordeaux 750ml bottles which are approximately 2.75" in diameter. Storing large and/or oddly shaped bottles (including champagne and sparkling wine bottles) should remove at least 1 shelf (shelves is removable) and will decrease the number of bottles you are able to store in your wine cooler.