

## Specification Detail of Model LB36BD

<b>Specification</b>	
Product Model	LB36BD
Storage Capacity	4.6 cubic feet
Overall Wine Bottle Capacity (750ml Standard Bordeaux)	18
Overall Pop Can Capacity (330ml Standard Pop Can)	55
Installation Type	built-in or freestanding
Color/Finish	black cabinet
Primary Material	metal, stainless steal, glass, wood, wire
Door Style	French door
Cooling System	compressor
Defrost System	frost free
Anti-Vibration Technology	Yes
Ventilation Location	Front
Fan Type	Interior
Humidity Control	>65%
Integrated Lock	Yes
Quiet Operation	42 dB
Stain Resistant	antirust coat
Odor Resistant	activated carbon filter
Leak-proof	water pan
Voltage	110-120 volts
Frequency	60Hz
Amperage	1.3 amperes
Country of Origin	China
Refrigerant	R600a
Interior Light	Yes
Bulb Type	white LED
Adjustable Feet	Yes (From 0 to 0.4 Inch)
<b>Temperature Specification</b>	
Temperature Zones	dual zone
Overall Minimum Temperature	39 degrees F
Overall Maximum Temperature	64 degrees F
Left Zone Wine Bottle Capacity	18
Left Zone Minimum Temperature	41 degrees F
Left Zone Maximum Temperature	64 degrees F
Right Zone Pop Can Capacity	55



Your Professional Home and Commercial Appliances Supplier

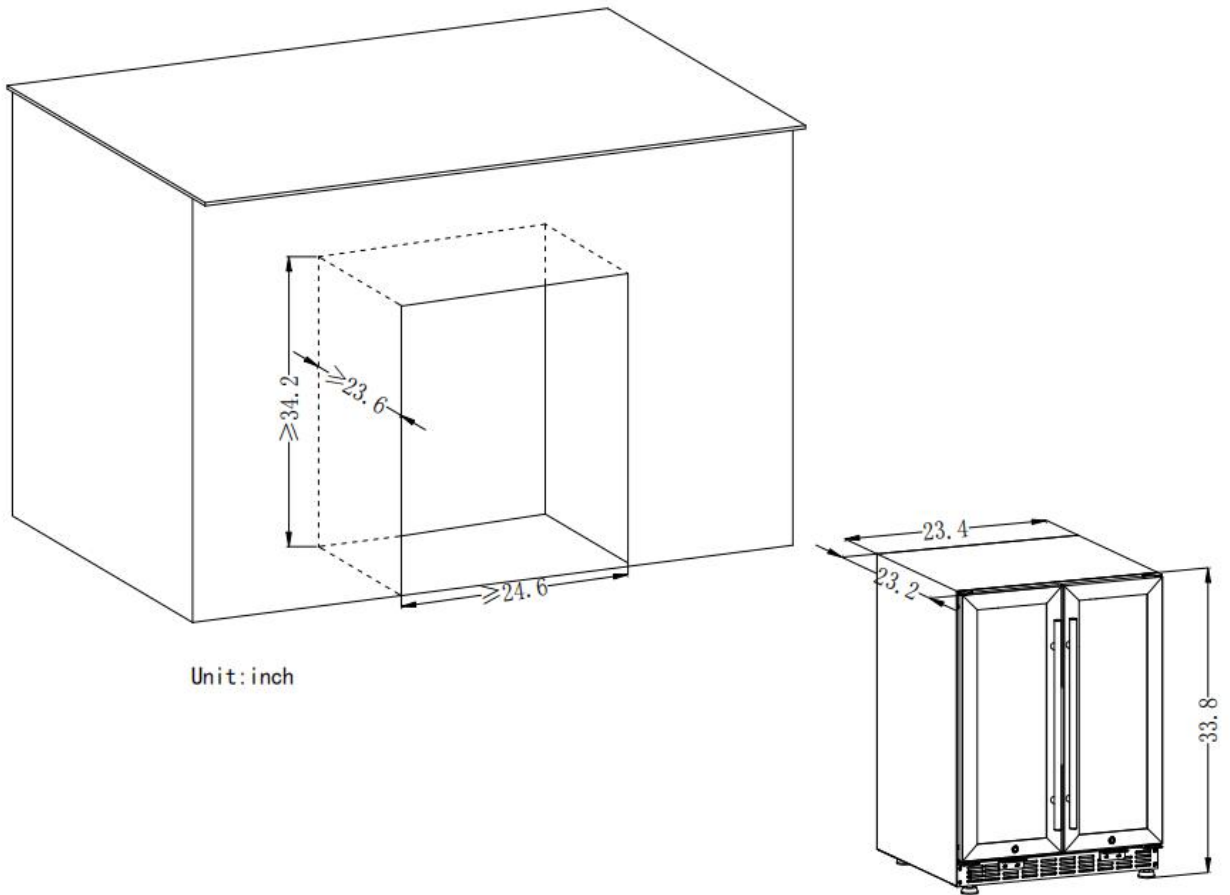
Right Zone Minimum Temperature	39 degrees F
Right Zone Maximum Temperature	50 degrees F
Temperature Display Type	touch screen
<b>Doors</b>	
Door Handle Design	External
Door Swing Orientation	Center
Number of Doors	2
Door Material	tempered glass
Door Material Details	tinted double pane
Door Color/Finish	stainless steel
Door Opening Degree to Slide out Shelves	>100°
UV Resistant	Yes
Door Reversible	No
<b>Shelves</b>	
Adjustable Shelves to different heights	No
Number of Shelves	5 full shelves + 1 half shelf in the left zone; 3 wire shelf + 1 wire basket in the right zone
Shelve Material	beech wood, iron
Shelves Slide out Degree	75%
Full shelve size (Width x Depth x Height)	8.8x17.5x1.0inches
Half shelve size (Width x Depth x Height)	8.8x12.8x1.0inches
Wire shelve size (Width x Depth x Height)	8.6x17.1x1.2inches
Wire basket size (Width x Depth x Height)	7.5x12.2x6.5inches
<b>Certifications Listings&amp;Approvals</b>	
ETL Listed	Yes
ISO 9001 Certified	Yes
<b>Unit Dimension and Weight</b>	
Overall Height - Top to Bottom	33.8 inches
Overall Width - Side to Side	23.4 inches
Overall Depth - Front to Back	24.9 inches
Depth -Excluding Handles	23.2 inches
Interior Height - Top to Bottom	27.4 inches
Interior Width - Side to Side	20.9 inches
Interior Depth - Front to Back	17.7 inches
Door Height - Top to Bottom	30.0 inches
Door Width - 1 Piece	11.6 inches
Door Depth - Front to Back	1.1 inches
Depth With Door Open at 90 Degrees	33.8 inches
Cutout Width - Side to Side	24.6 inches
Cutout Depth - Front to Back	23.6 inches



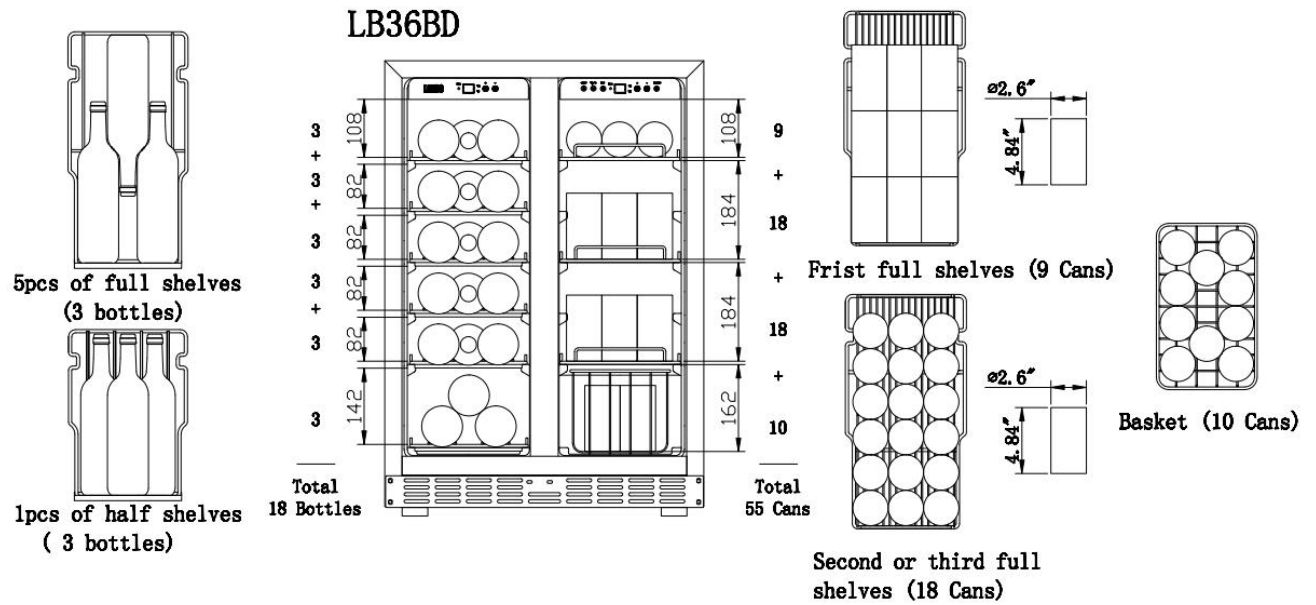
Your Professional Home and Commercial Appliances Supplier

Cutout Height - Top to Bottom	34.2 inches
Overall Product Weight Net Weight	100.3 lbs
Shipping Weight without Pallet	113.8 lbs
Shipping Height - Top to Bottom without Pallet	37.2 inches
Shipping Width - Side to Side	27.4 inches
Shipping Depth - Front to Back	28.9 inches
<b>Installation and Usage</b>	
Installation Required	No
Tools Needed for Installation	No
Additional Parts Required	No
Supplier Intended and Approved Use	residential use
Outdoor Use	No
Product Care	wipe clean with a dry cloth
Undercounter	Yes
<b>Warranty</b>	
Manufacturer Warranty (labor)	1 year
Manufacturer Warranty (parts)	1 year
<b>What in the Box</b>	
LB36BD Wine and Beverage Cooler	1 unit
User Manual	1 pc
Keys	2 pcs

---

**The Smallest Space Left for Installing LB36BD**

### Storage Capacity



The bottle capacity is for standard Bordeaux 750ml bottles which are approximately 2.75" in diameter. Storing large and/or oddly shaped bottles (including champagne and sparkling wine bottles) should remove at least 1 shelf (shelves is removable) and will decrease the number of bottles you are able to store in your wine cooler.