

## Specification Detail of Model LW162DD

| <b>Specification</b>                                   |   |
|--|---|
| Product Model  | LW162DD                                   |
| Storage Capacity                                       | 15.9 cubic feet                           |
| Overall Wine Bottle Capacity (750ml Standard Bordeaux) | 152                                       |
| Installation Type                                      | built-in or freestanding                  |
| Color/Finish   | black cabinet                             |
| Primary Material                                       | metal, stainless steal, glass, wood, wire |
| Door Style   | double pane, tinted                       |
| Cooling System   | compressor                                |
| Defrost System   | frost free                                |
| Anti-Vibration Technology                              | Yes                                       |
| Ventilation Location                                   | Front                                     |
| Fan Type   | Interior                                  |
| Humidity Control                                       | >65%                                      |
| Integrated Lock  | Yes                                       |
| Quiet Operation  | 42 dB                                     |
| Stain Resistant  | antirust coat                             |
| Odor Resistant   | activated carbon filter                   |
| Leak-proof   | water pan                                 |
| Voltage  | 110-120 volts                             |
| Frequency  | 60Hz                                      |
| Amperage   | 1.9 amperes                               |
| Country of Origin                                      | China                                     |
| Refrigerant  | R600a                                     |
| Interior Light   | Yes                                       |
| Bulb Type  | white LED                                 |
| Adjustable Feet  | Yes (From 0 to 0.4 Inch)                  |
| <b>Temperature Specification</b>                       |   |
| Temperature Zones                                      | dual zone                                 |
| Overall Minimum Temperature                            | 41 degrees F                              |
| Overall Maximum Temperature                            | 64 degrees F                              |
| First Zone Bottle Capacity                             | 55  |
| First Zone Minimum Temperature                         | 41 degrees F                              |
| First Zone Maximum Temperature                         | 64 degrees F                              |
| Second Zone Bottle Capacity                            | 97  |



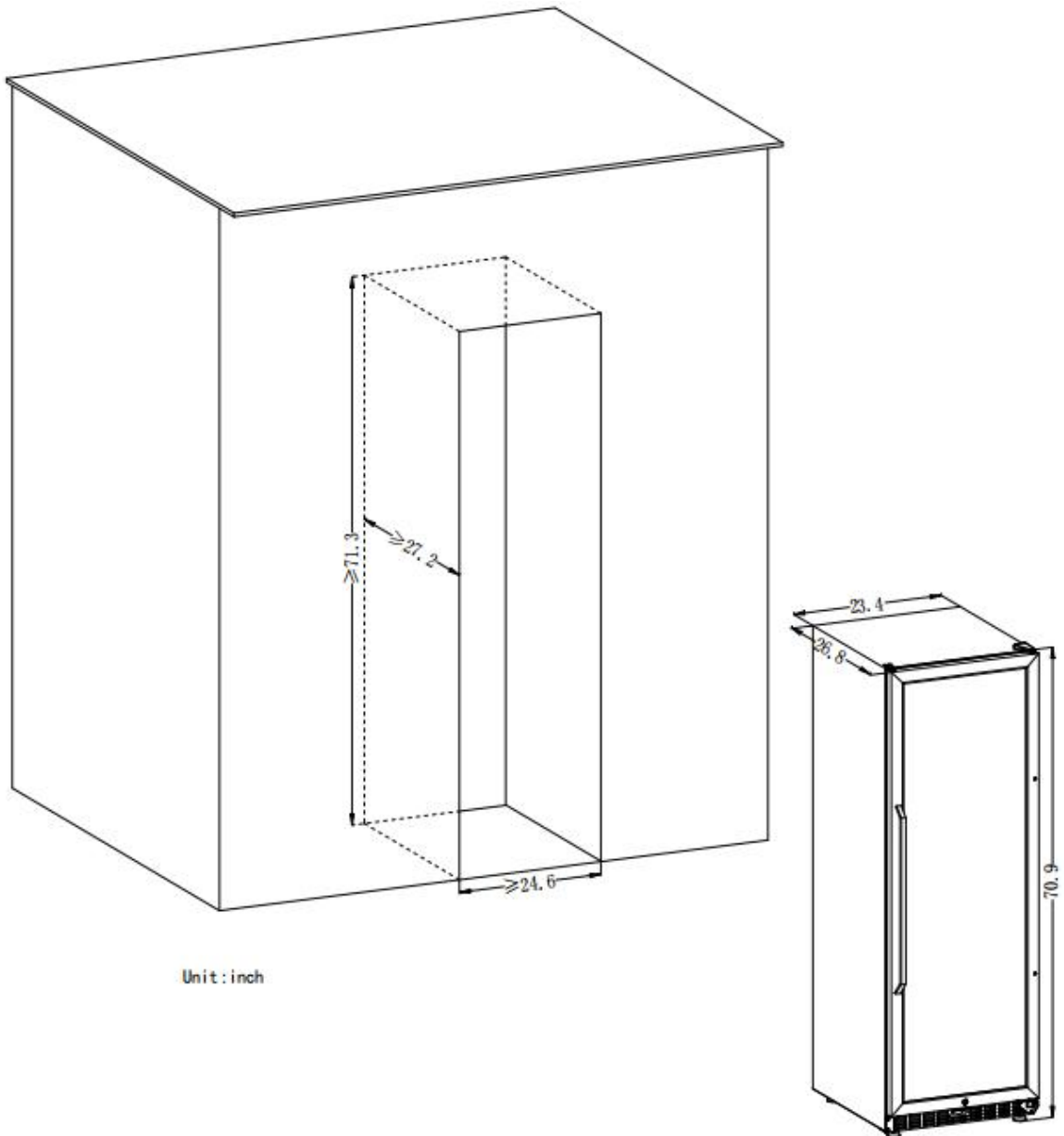
|  |                                |
|--|--------------------------------|
| Second Zone Minimum Temperature              | 41 degrees F                   |
| Second Zone Maximum Temperature              | 64 degrees F                   |
| Wine Bottle Capacity                         | 152                            |
| Temperature Display Type                     | touch screen                   |
| <b>Doors</b>                                 |                                |
| Door Handle Design                           | external                       |
| Door Swing Orientation                       | center                         |
| Number of Doors                              | 2                              |
| Door Material                                | tempered glass                 |
| Door Material Details                        | tinted double pane             |
| Door Color/Finish                            | stainless steel                |
| Door Opening Degree to Slide out Shelves     | >90°                           |
| UV Resistant                                 | Yes                            |
| Door Reversible                              | No                             |
| <b>Shelves</b>                               |                                |
| Adjustable Shelves to different heights      | No                             |
| Number of Shelves                            | 12 full shelves + 1 half shelf |
| Shelve Material                              | beech wood                     |
| Shelves slide out degree                     | 75%                            |
| Full shelve size (Width x Depth x Height)    | 18.8x21.3x1.0inches            |
| Half shelve size (Width x Depth x Height)    | 18.8x12.8x1.0inches            |
| <b>Certifications Listings&amp;Approvals</b> |                                |
| ETL Listed                                   | Yes                            |
| ISO 9001 Certified                           | Yes                            |
| <b>Unit Dimension and Weight</b>             |                                |
| Overall Height - Top to Bottom               | 70.9 inches                    |
| Overall Width - Side to Side                 | 23.4 inches                    |
| Overall Depth - Front to Back                | 28.4 inches                    |
| Depth -Excluding Handles                     | 26.8 inches                    |
| Interior Height - Top to Bottom              | 63.4 inches                    |
| Interior Width - Side to Side                | 20.5 inches                    |
| Interior Depth - Front to Back               | 21.4 inches                    |
| Upper Door Height - Top to Bottom            | 25.3 inches                    |
| Upper Door Width - Side to Side              | 23.4 inches                    |
| Upper Door Depth - Front to Back             | 1.3 inches                     |
| Lower Door Height - Top to Bottom            | 40.4 inches                    |
| Lower Door Width - Side to Side              | 23.4 inches                    |
| Lower Door Depth - Front to Back             | 1.3 inches                     |
| Depth With Door Open at 90 Degrees           | 49 inches                      |
| Cutout Width - Side to Side                  | 24.6 inches                    |
| Cutout Depth - Front to Back                 | 27.2 inches                    |



Your Professional Home and Commercial Appliances Supplier

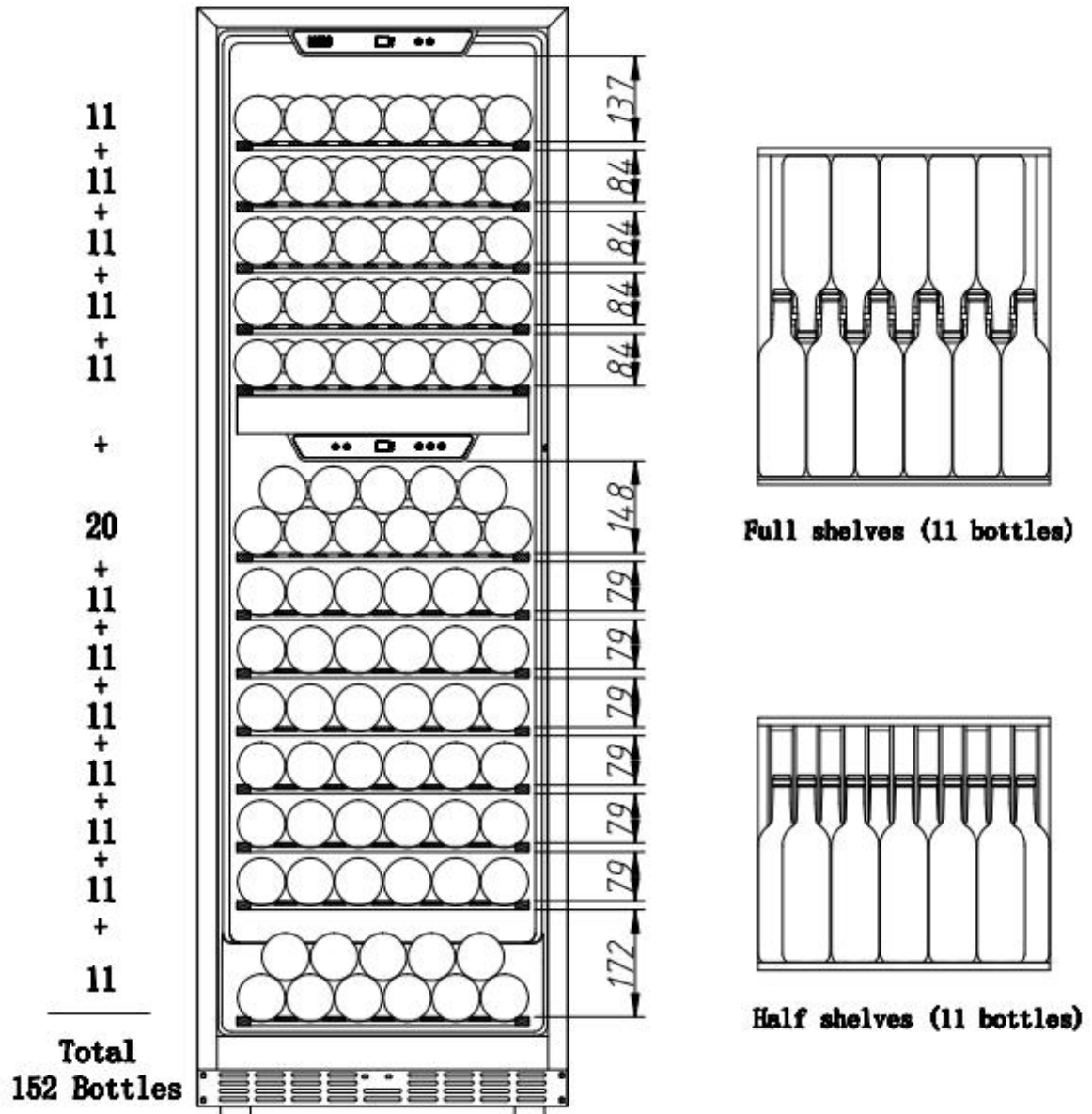
|  |                             |
|--|-----------------------------|
| Cutout Height - Top to Bottom              | 71.3 inches                 |
| Overall Product Weight Net Weight          | 220.5 Lbs                   |
| Shipping Weight with Panel                 | 243.6 Lbs                   |
| Shipping Height - Top to Bottom with Panel | 77.7 inches                 |
| Shipping Width - Side to Side              | 26.0 inches                 |
| Shipping Depth - Front to Back             | 30.3 inches                 |
| <b>Installation and Usage</b>              |                             |
| Installation Required                      | No                          |
| Tools Needed for Installation              | No                          |
| Additional Parts Required                  | No                          |
| Supplier Intended and Approved Use         | residential use             |
| Outdoor Use                                | No                          |
| Product Care                               | wipe clean with a dry cloth |
| Undercounter                               | No                          |
| <b>Warranty</b>                            |                             |
| Manufacturer Warranty (labor)              | 1 year                      |
| Manufacturer Warranty (parts)              | 1 year                      |
| <b>What in the Box</b>                     |                             |
| LW162DD Dual Zone Dual Door Wine Cooler    | 1 unit                      |
| User Manual                                | 1 pc                        |
| Keys                                       | 2 pcs                       |
| Hinge cover                                | 1 pc                        |

---

**The Smallest Space Left for Installing LW162DD**

**Storage Capacity**

**LW162DD**



The bottle capacity is for standard Bordeaux 750ml bottles which are approximately 2.75" in diameter. Storing large and/or oddly shaped bottles (including champagne and sparkling wine bottles) should remove at least 1 shelf (shelves is removable) and will decrease the number of bottles you are able to store in your wine cooler.