

Specification Detail of Model LW3370B

Specification	
Product Model	LW3370B
Storage Capacity	5.9 cubic feet
Overall Wine Bottle Capacity (750ml Standard Bordeaux)	31
Overall Pop Can Capacity (330ml Standard Pop can)	76
Installation Type	built-in or freestanding
Color/Finish	black cabinet
Primary Material	metal, stainless steal, glass, wood, wire
Door Style	double pane, tinted, French door
Cooling System	compressor
Defrost System	frost free
Anti-Vibration Technology	Yes
Ventilation Location	Front
Fan Type	Interior
Humidity Control	>65%
Integrated Lock	Yes
Quiet Operation	42 dB
Stain Resistant	antirust coat
Odor Resistant	activated carbon filter
Leak-proof	water pan
Voltage	110-120 volts
Frequency	60Hz
Amperage	1.3 amperes
Country of Origin	China
Refrigerant	R600a
Interior Light	Yes
Bulb Type	white LED
Adjustable Feet	Yes (From 0 to 0.4 Inch)
Temperature Specification	
Temperature Zones	dual zone
Overall Minimum Temperature	41 degrees F
Overall Maximum Temperature	64 degrees F
Left Zone Wine Bottle Capacity	31
Left Zone Minimum Temperature	41 degrees F
Left Zone Maximum Temperature	64 degrees F



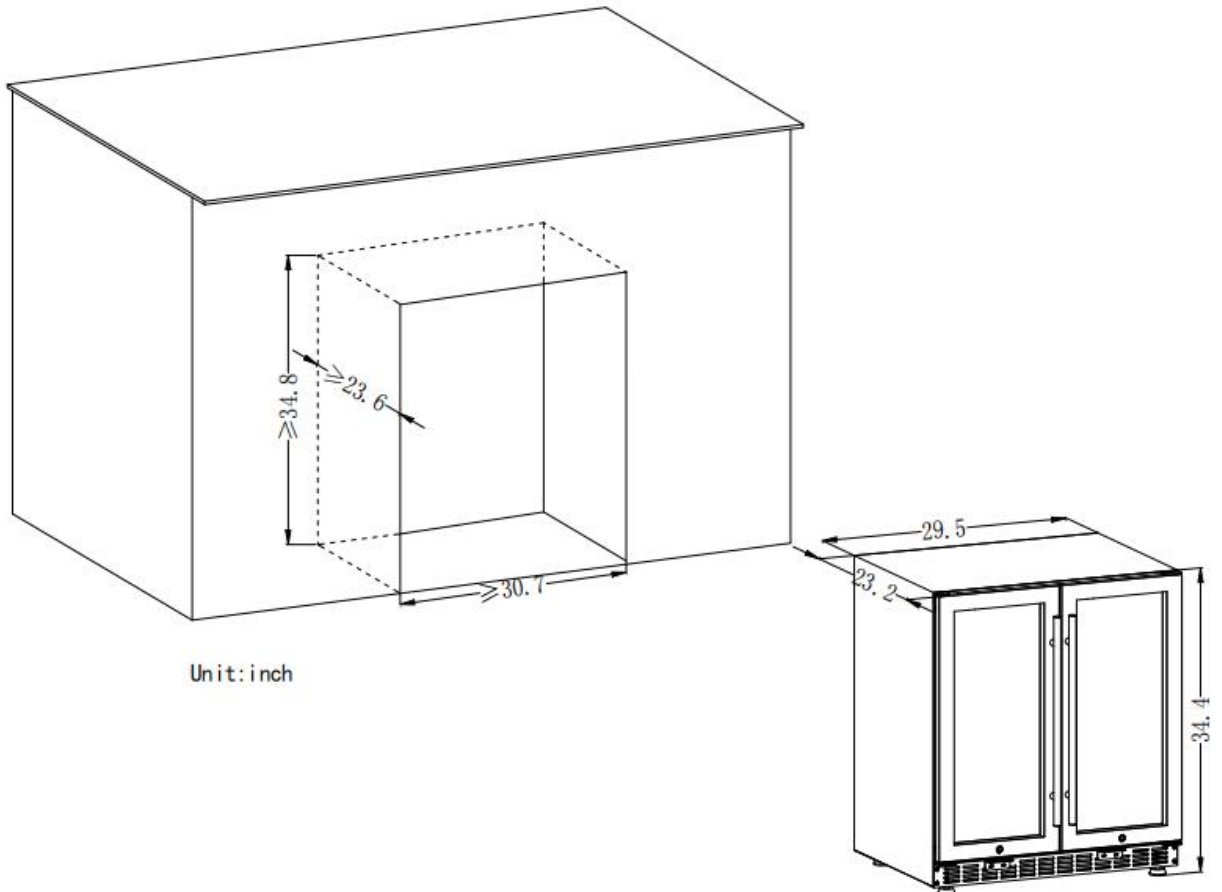
Right Zone Pop Can Capacity	76
Right Zone Minimum Temperature	39 degrees F
Right Zone Maximum Temperature	50 degrees F
Temperature Display Type	touch screen
Doors	
Door Handle Design	external
Door Swing Orientation	center
Number of Doors	2
Door Material	tempered glass
Door Material Details	tinted double pane
Door Color/Finish	stainless steel
Door Opening Degree to Slide out Shelves	>90°
UV Resistant	Yes
Door Reversible	No
Shelves	
Adjustable Shelves to different heights	No
Number of Shelves	5 full shelves + 2 half shelf in the left zone; 3 wire shelf + 1 wire basket in the right zone
Shelve Material	beech wood, iron
Shelves slide out degree	75%
Full shelve size (Width x Depth x Height)	12.4x17.5x1.0inches
Half shelve size (Width x Depth x Height)	12.4x12.8x1.0inches
Wire shelve size (Width x Depth x Height)	12.2x17.3x1.4inches
Wire basket size (Width x Depth x Height)	12.6x10.6x6.3inches
Certifications Listings&Approvals	
ETL Listed	Yes
ISO 9001 Certified	Yes
Unit Dimension and Weight	
Overall Height - Top to Bottom	34.4 inches
Overall Width - Side to Side	29.5 inches
Overall Depth - Front to Back	24.9 inches
Depth -Excluding Handles	23.2 inches
Interior Height - Top to Bottom	27.8 inches
Interior Width - Side to Side	27.0 inches
Interior Depth - Front to Back	18.0 inches
Door Height - Top to Bottom	30.0 inches
Door Width - 1 Piece	14.6 inches
Door Depth - Front to Back	1.0 inches
Depth With Door Open at 90 Degrees	36.9 inches
Cutout Width - Side to Side	30.7 inches



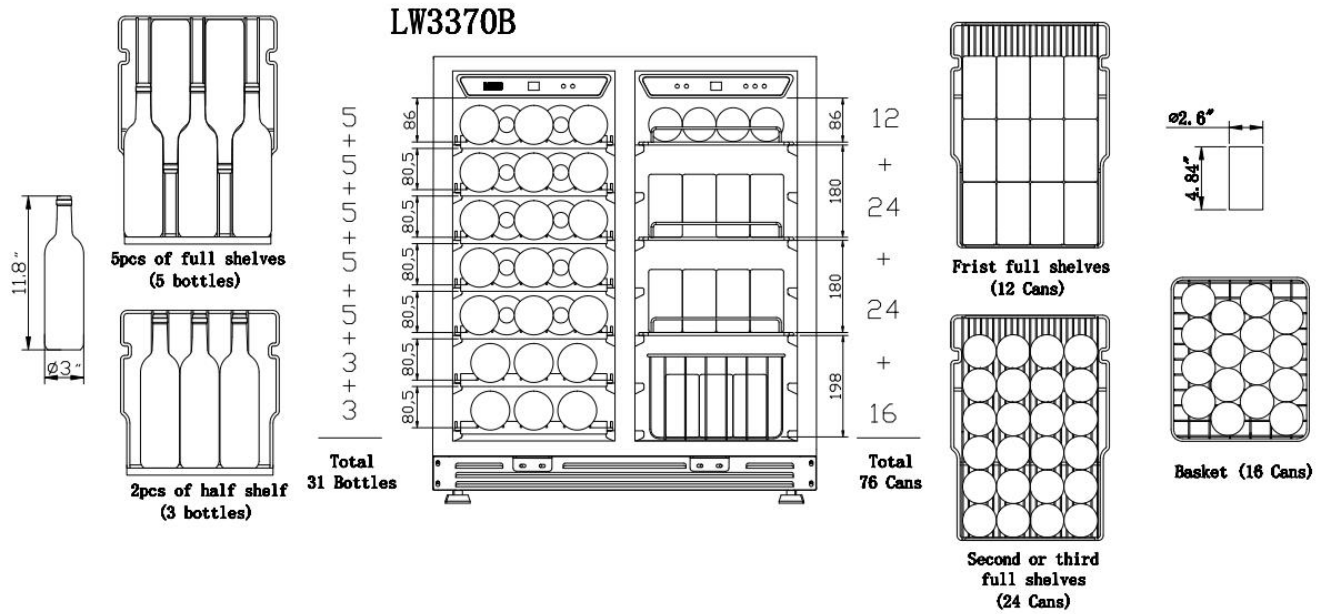
Your Professional Home and Commercial Appliances Supplier

Cutout Depth - Front to Back	23.6 inches
Cutout Height - Top to Bottom	34.8 inches
Overall Product Weight Net Weight	121.3 Lbs
Shipping Weight with Pallet	159.8 Lbs
Shipping Height - Top to Bottom with Pallet	42.3 inches
Shipping Width - Side to Side	33.5 inches
Shipping Depth - Front to Back	29.1 inches
Installation and Usage	
Installation Required	No
Tools Needed for Installation	No
Additional Parts Required	No
Supplier Intended and Approved Use	residential use
Outdoor Use	No
Product Care	wipe clean with a dry cloth
Undercounter	Yes
Warranty	
Manufacturer Warranty (labor)	1 year
Manufacturer Warranty (parts)	1 year
What in the Box	
LW3370B Wine and Beverage Cooler	1 unit
User Manual	1 pc
Keys	2 pcs

The Smallest Space Left for Installing LW3370B



Storage Capacity



The bottle capacity is for standard Bordeaux 750ml bottles which are approximately 2.75" in diameter. Storing large and/or oddly shaped bottles (including champagne and sparkling wine bottles) should remove at least 1 shelf (shelves is removable) and will decrease the number of bottles you are able to store in your wine cooler.