

## Specification Detail of Model LW33S

<b>Specification</b>	
Product Model	LW33S
Storage Capacity	2.8 cubic feet
Overall Wine Bottle Capacity (750ml Standard Bordeaux)	31
Installation Type	built-in or freestanding
Color/Finish	black cabinet
Primary Material	metal, stainless steal, glass, wood, wire
Door Style	double pane, tinted
Cooling System	compressor
Defrost System	frost free
Anti-Vibration Technology	Yes
Ventilation Location	Front
Fan Type	Interior
Humidity Control	>65%
Integrated Lock	Yes
Quiet Operation	42 dB
Stain Resistant	antirust coat
Odor Resistant	activated carbon filter
Leak-proof	water pan
Voltage	110-120 volts
Frequency	60Hz
Amperage	1.3 amperes
Country of Origin	China
Refrigerant	R600a
Interior Light	Yes
Bulb Type	white LED
Adjustable Feet	Yes (From 0 to 0.4 Inch)
<b>Temperature Specification</b>	
Temperature Zones	single zone
Overall Minimum Temperature	41 degrees F
Overall Maximum Temperature	64 degrees F
Wine Bottle Capacity	31
Temperature Display Type	touch screen
<b>Doors</b>	



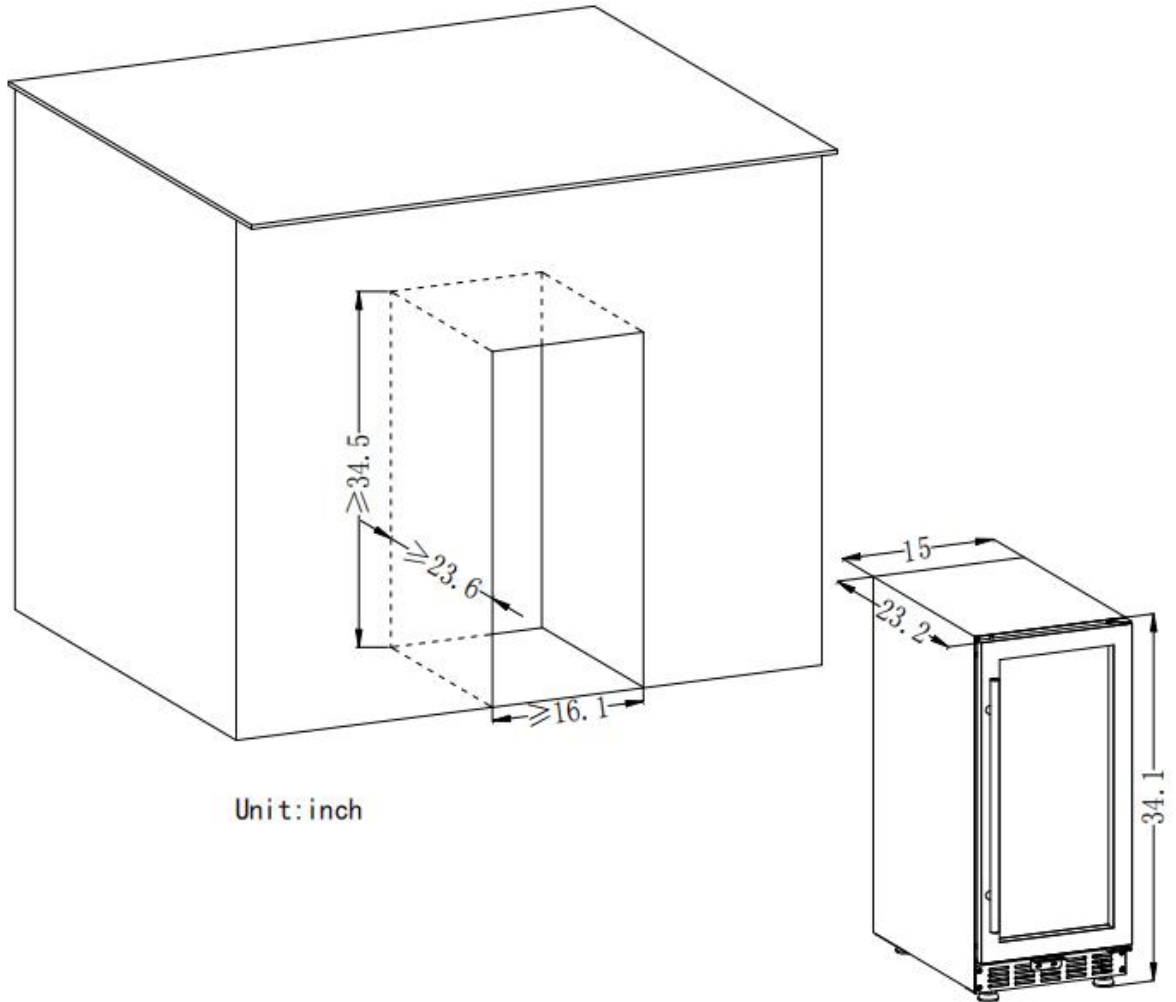
Door Handle Design	external
Door Swing Orientation	left
Number of Doors	1
Door Material	tempered glass
Door Material Details	tinted double pane
Door Color/Finish	stainless steel
Door Opening Degree to Slide out Shelves	>100°
UV Resistant	Yes
Door Reversible	No
<b>Shelves</b>	
Adjustable Shelves to different heights	No
Number of Shelves	5 full shelves + 2 half shelf
Shelve Material	beech wood
Shelves slide out degree	75%
Full shelve size (Width x Depth x Height)	11.6x17.7x0.8inches
Half shelve size (Width x Depth x Height)	11.7x12.6x0.8inches
<b>Certifications Listings&amp;Approvals</b>	
ETL Listed	Yes
ISO 9001 Certified	Yes
<b>Unit Dimension and Weight</b>	
Overall Height - Top to Bottom	34.1 inches
Overall Width - Side to Side	15.0 inches
Overall Depth - Front to Back	24.9 inches
Depth -Excluding Handles	23.2 inches
Interior Height - Top to Bottom	28.0 inches
Interior Width - Side to Side	12.4 inches
Interior Depth - Front to Back	18.0 inches
Door Height - Top to Bottom	30.0 inches
Door Width - Side to Side	15.0 inches
Door Depth - Front to Back	0.9 inches
Depth With Door Open at 90 Degrees	37.2 inches
Cutout Width - Side to Side	16.1 inches
Cutout Depth - Front to Back	23.6 inches
Cutout Height - Top to Bottom	34.5 inches
Overall Product Weight Net Weight	73.9 Lbs
Shipping Weight without Panel	85.1 Lbs
Shipping Height - Top to Bottom without Panel	37.2 inches
Shipping Width - Side to Side	19.1 inches
Shipping Depth - Front to Back	28.9 inches
<b>Installation and Usage</b>	



Your Professional Home and Commercial Appliances Supplier

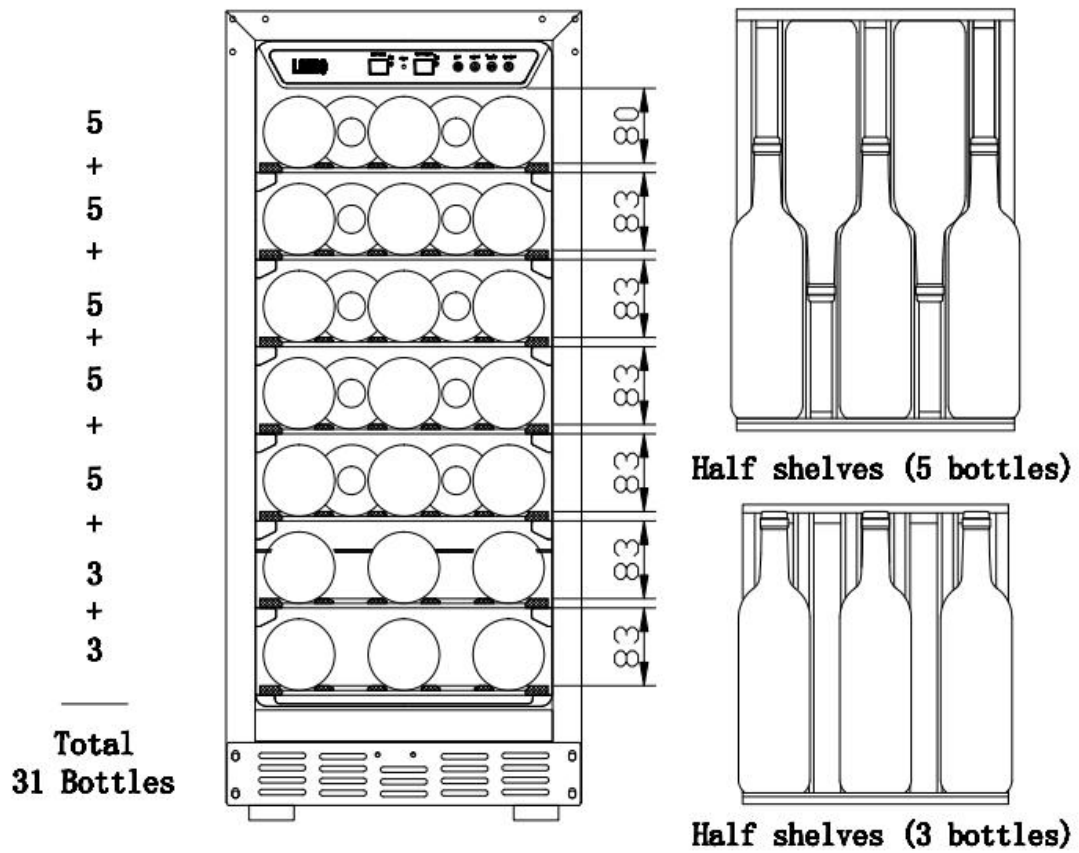
Installation Required	No
Tools Needed for Installation	No
Additional Parts Required	No
Supplier Intended and Approved Use	residential use
Outdoor Use	No
Product Care	wipe clean with a dry cloth
Undercounter	Yes
<b>Warranty</b>	
Manufacturer Warranty (labor)	1 year
Manufacturer Warranty (parts)	1 year
<b>What in the Box</b>	
LW33S Single Zone Wine Cooler	1 unit
User Manual	1 pc
Keys	2 pcs

---

**The Smallest Space Left for Installing LW33S**

### Storage Capacity

## LW33S



The bottle capacity is for standard Bordeaux 750ml bottles which are approximately 2.75" in diameter. Storing large and/or oddly shaped bottles (including champagne and sparkling wine bottles) should remove at least 1 shelf (shelves is removable) and will decrease the number of bottles you are able to store in your wine cooler.