

Specification Detail of Model LW80S

Specification	
Product Model	LW80S
Storage Capacity	200L 7.1cubic feet
Overall Wine Bottle Capacity (750ml Standard Bordeaux)	69
Installation Type	Freestanding
Color/Finish	black cabinet
Primary Material	metal, stainless steal, glass, wood, wire
Door Style	double pane, tinted
Cooling System	compressor
Defrost System	frost free
Anti-Vibration Technology	Yes
Ventilation Location	Back and Sides
Fan Type	Interior
Humidity Control	>65%
Integrated Lock	Yes
Quiet Operation	40 dB
Stain Resistant	antirust coat
Odor Resistant	activated carbon filter
Leak-proof	water pan
Power Input	80W
Voltage	110-120 volts
Frequency	60Hz
Amperage	1.4 amperes
Country of Origin	China
Refrigerant	R600a
Interior Light	Yes
Bulb Type	white LED
Adjustable Feet	Yes (From 0 to 0.4 Inch)
Temperature Specification	
Temperature Zones	single zone
Overall Minimum Temperature	41 degrees F
Overall Maximum Temperature	64 degrees F
Temperature Display Type	touch screen
Doors	



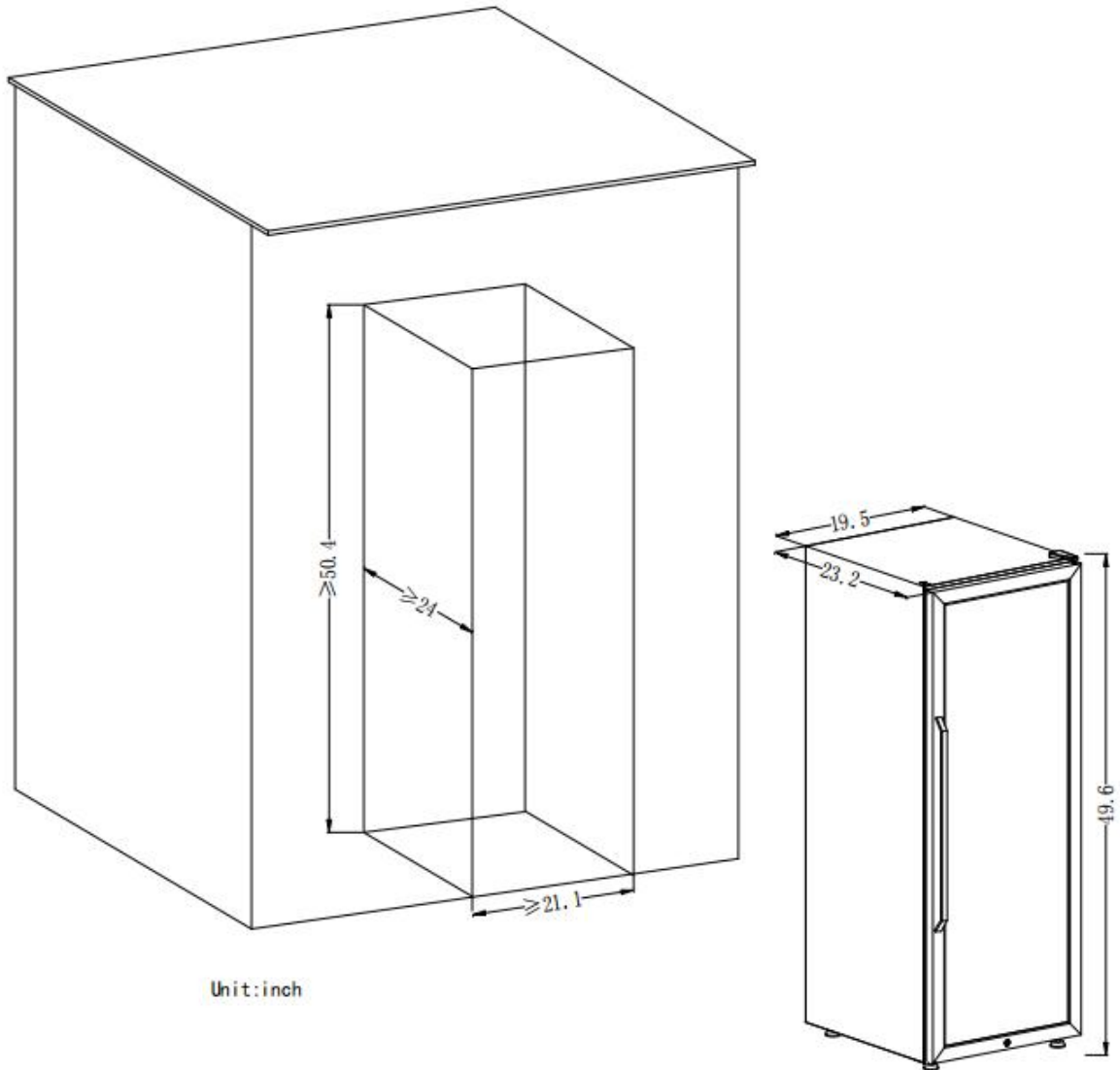
Your Professional Home and Commercial Appliances Supplier

Door Handle Design	external
Door Swing Orientation	left
Number of Doors	1
Door Material	tempered glass
Door Material Details	tinted double pane
Door Color/Finish	stainless steel
Door Opening Degree to Slide out Shelves	>90°
UV Resistant	Yes
Door Reversible	Yes
Shelves	
Adjustable Shelves to different heights	No
Number of Shelves	5 full shelves
Shelve Material	beech wood
Shelves slide out degree	75%
Full shelve size (Width x Depth x Height)	19.1x18.1x0.8inches
Certifications Listings&Approvals	
ETL Listed	Yes
ISO 9001 Certified	Yes
Unit Dimension and Weight	
Overall Height - Top to Bottom	49.6 inches
Overall Width - Side to Side	19.5 inches
Overall Depth - Front to Back	24.9 inches
Depth -Excluding Handles	23.2 inches
Interior Height - Top to Bottom	27.6 inches
Interior Width - Side to Side	17.5 inches
Interior Depth - Front to Back	18.1 inches
Door Height - Top to Bottom	30.0inches
Door Width - Side to Side	23.4 inches
Door Depth - Front to Back	1.3 inches
Depth With Door Open at 90 Degrees	41.7 inches
Cutout Width - Side to Side	21.1 inches
Cutout Depth - Front to Back	24 inches
Cutout Height - Top to Bottom	50.4 inches
Overall Product Weight Net Weight	109.3 lbs
Shipping Weight without Pallet	123.5 lbs
Shipping Height - Top to Bottom without Pallet	52.2 inches
Shipping Width - Side to Side	23.8 inches
Shipping Depth - Front to Back	28.7 inches
Installation and Usage	
Installation Required	No

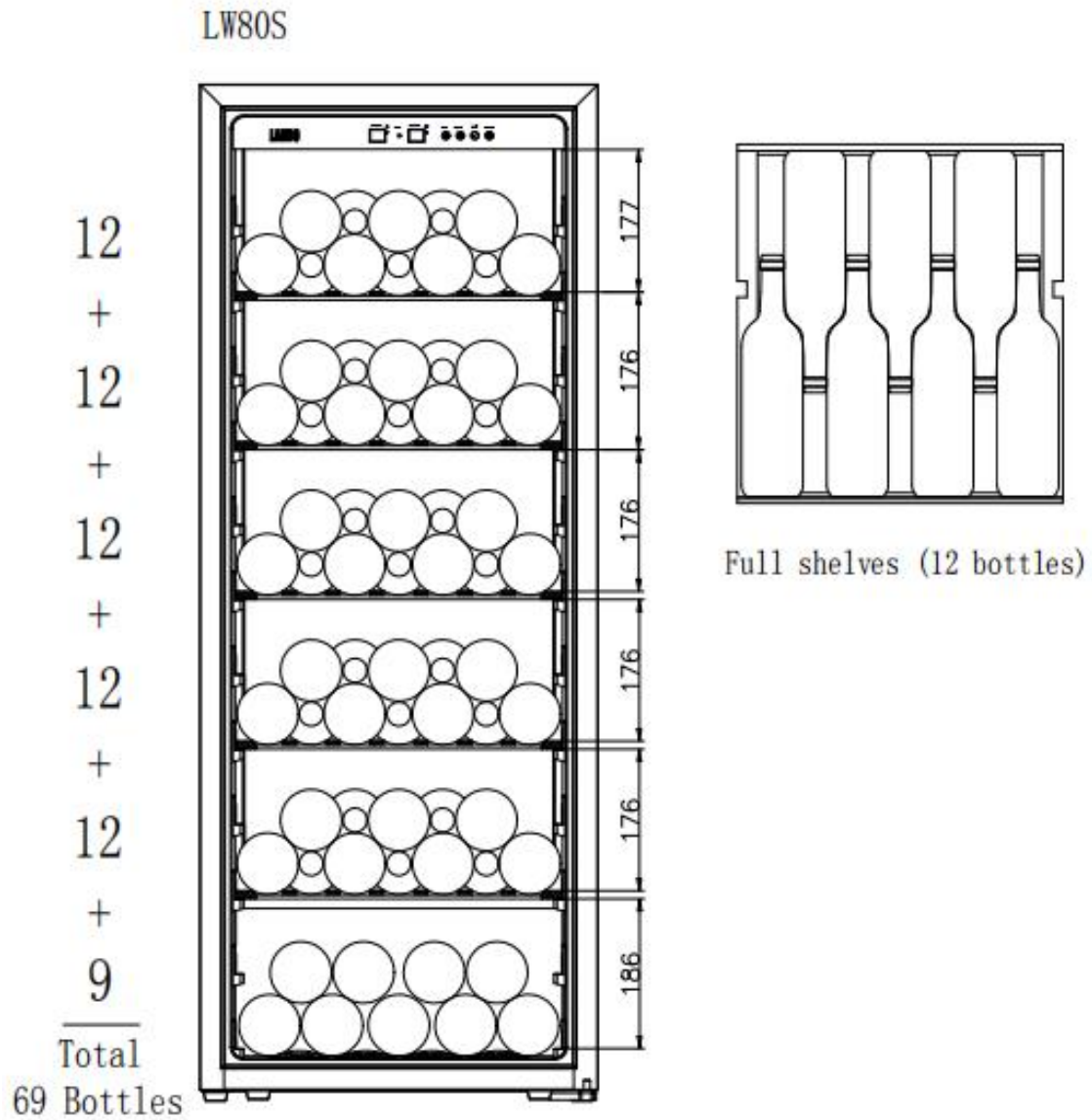


Your Professional Home and Commercial Appliances Supplier

Tools Needed for Installation	No
Additional Parts Required	No
Supplier Intended and Approved Use	Residential use
Outdoor Use	No
Product Care	wipe clean with a dry cloth
Undercounter	Yes
Warranty	
Manufacturer Warranty (labor)	1 year
Manufacturer Warranty (parts)	1 year
What in the Box	
LW80S Single Zone Wine Cooler	1 unit
User Manual	1 pc
Keys	2 pcs

The Smallest Space Left for Installing LW80S

Storage Capacity



The bottle capacity is for standard Bordeaux 750ml bottles which are approximately 2.75" in diameter. Storing large and/or oddly shaped bottles (including champagne and sparkling wine bottles) should remove at least 1 shelf (shelves is removable) and will decrease the number of bottles you are able to store in your wine cooler.