



Specification Detail of Model LW28D

Specification	
Product Model	LW28D
Storage Capacity	2.8 cubic feet
Overall Wine Bottle Capacity (750ml Standard Bordeaux)	28
Installation Type	built-in or freestanding
Color/Finish	black cabinet
Primary Material	metal, stainless steel, glass, wood, wire
Door Style	double pane, tinted
Cooling System	compressor
Defrost System	frost free
Anti-Vibration Technology	Yes
Ventilation Location	Front
Fan Type	Interior
Humidity Control	>65%
Integrated Lock	Yes
Quiet Operation	42 db
Stain Resistant	antirust coat
Odor Resistant	activated carbon filter
Leak-proof	water pan
Voltage	110-120 volts
Frequency	60Hz
Amperage	1.3 amperes
Estimated Yearly Electricity Use (kWh)	246
Est Yearly Operating Cost	\$32 USD
Country of Origin	China
Refrigerant	R600a
Interior Light	Yes
Bulb Type	white LED
Adjustable Feet	Yes (From 0 to 0.4 Inch)
Temperature Specification	
Temperature Zones	dual zone
Overall Minimum Temperature	41 degrees F
Overall Maximum Temperature	64 degrees F
First Zone Bottle Capacity	15
First Zone Minimum Temperature	41 degrees F



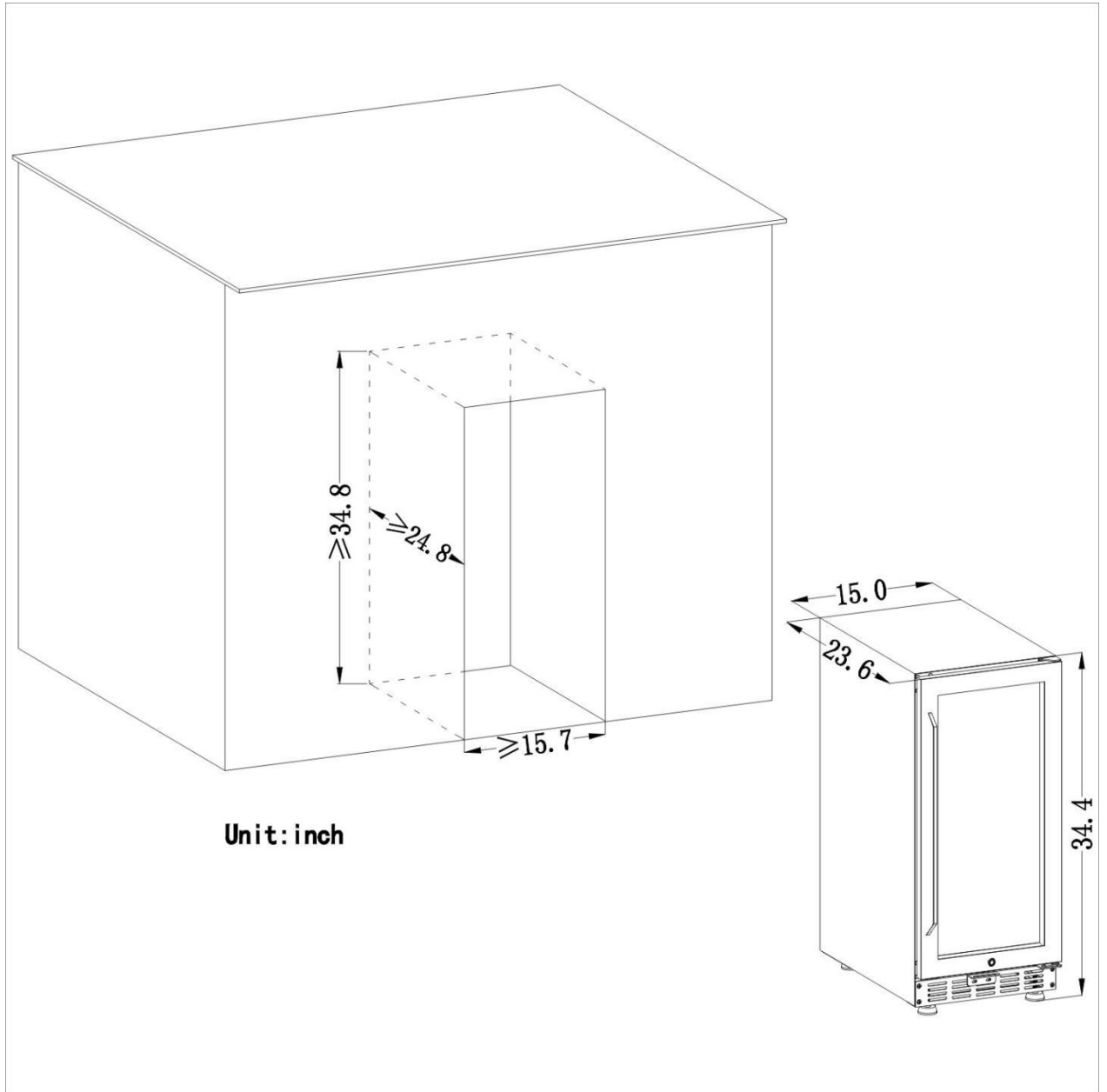
First Zone Maximum Temperature	54 degrees F
Second Zone Bottle Capacity	13
Second Zone Minimum Temperature	54 degrees F
Second Zone Maximum Temperature	64 degrees F
Wine Bottle Capacity	28
Temperature Display Type	touch screen
Doors	
Door Handle Design	external
Door Swing Orientation	left
Number of Doors	1
Door Material	tempered glass
Door Material Details	tinted double pane
Door Color/Finish	stainless steel
Door Opening Degree to Slide out Shelves	>100°
UV Resistant	Yes
Door Reversible	No
Shelves	
Adjustable Shelves to different heights	No
Number of Shelves	4 full shelves + 2 half shelf
Shelve Material	beech wood
Shelves slide out degree	75%
Full shelve size (Width x Depth x Height)	11.6x17.7x0.8inches
Half shelve size (Width x Depth x Height)	11.7x12.6x0.8inches
Certifications Listings&Approvals	
ETL Listed	Yes
ISO 9001 Certified	Yes
Unit Dimension and Weight	
Overall Height - Top to Bottom	34.4 inches
Overall Width - Side to Side	15.0 inches
Overall Depth - Front to Back	25.3 inches
Depth -Excluding Handles	23.6 inches
Interior Height - Top to Bottom	28.0 inches
Interior Width - Side to Side	12.4 inches
Interior Depth - Front to Back	18.0 inches
Door Height - Top to Bottom	30.0 inches
Door Width - Side to Side	15.0 inches
Door Depth - Front to Back	0.9 inches
Depth With Door Open at 90 Degrees	37.3 inches
Cutout Width - Side to Side	15.7 inches
Cutout Depth - Front to Back	24.8 inches
Cutout Height - Top to Bottom	34.8 inches



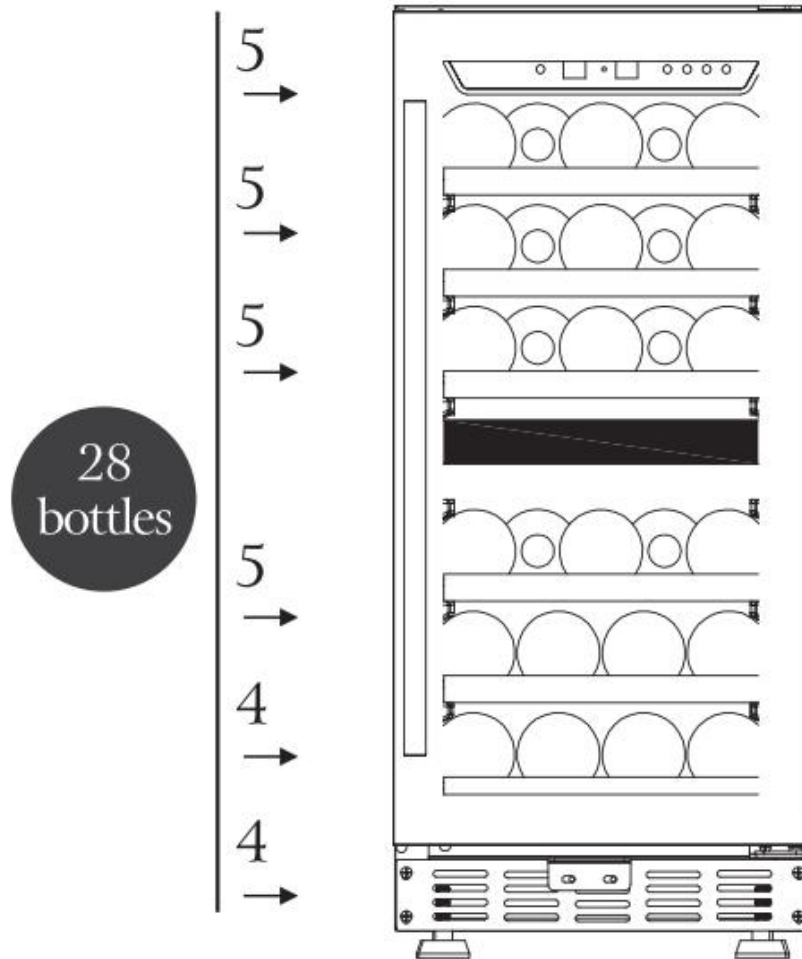
Your Professional Home and Commercial Appliances Supplier

Overall Product Weight Net Weight	79.4 Lbs
Shipping Weight with Panel	99.2 Lbs
Shipping Height - Top to Bottom with Panel	41.1 inches
Shipping Width - Side to Side	19.1 inches
Shipping Depth - Front to Back	28.9 inches
Installation and Usage	
Installation Required	No
Tools Needed for Installation	No
Additional Parts Required	No
Supplier Intended and Approved Use	residential and commercial use
Outdoor Use	No
Product Care	wipe clean with a dry cloth
Undercounter	Yes
Warranty	
Manufacturer Warranty (labor)	1 year
Manufacturer Warranty (parts)	1 year
What in the Box	
LW28D Dual Zone Wine Cooler	1 unit
User Manual	1 pc
Keys	2 pcs

The Smallest Space Left for Installing LW28D



Storage Capacity



The bottle capacity is for standard Bordeaux 750ml bottles which are approximately 2.75" in diameter. Storing large and/or oddly shaped bottles (including champagne and sparkling wine bottles) should remove at least 1 shelf (shelves is removable) and will decrease the number of bottles you are able to store in your wine cooler.